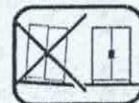
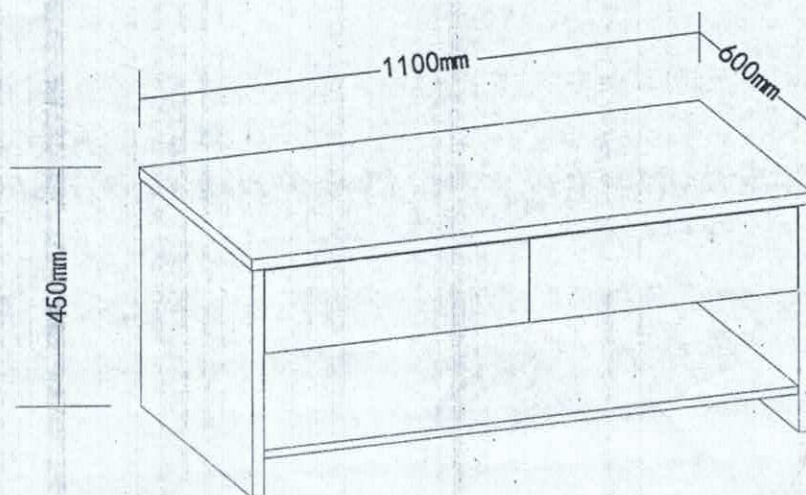


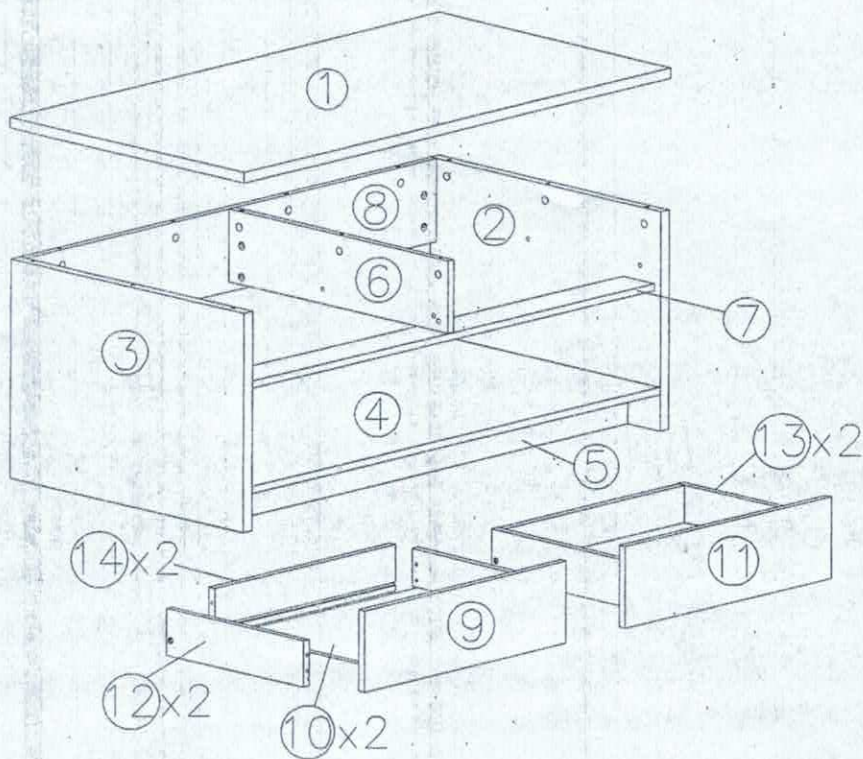
PRODUCT NAME

GAIA 110 Coffee Table



EN

1. Identify the parts which make up your piece of furniture.
 2. Gather the hardware parts and count them.
 3. Have the necessary assembly tools ready.
 4. Organize a space for assembly, wall carpeting or a blanket will protect the furniture against scratches.
 5. Never force the assembling while you put the parts together. You are recommended to tighten the screws after the furniture has been used for some time.
 6. After assembling this product, it is advisable to regularly ventilate the room for a few days.
- KEEP THE ASSEMBLY INSTRUCTION. THE RELEVANT INFORMATION YOU CAN FIND ON IT WILL HELP YOU GET IN TOUCH WITH YOUR STORE IF A PART WAS TO BE MISSING.
















No.	Size	Qty	Ctn no.
1	1100*598*22	1	1-1
2	596*448*22	1	1-1
3	596*448*22	1	1-1
4	1052*594*15	1	1-1
5	1052*75*15	1	1-1
6	564*148*15	1	1-1

No.	Size	Qty	Ctn no.
7	1052*80*15	1	1-1
8	1052*168*15	1	1-1
9	523*165*15	1	1-1
10	470.5*340*5	2	1-1
11	523*165*15	1	1-1
12	350*94*5	2	1-1

No.	Size	Qty	Ctn no.
13	350*94*15	2	1-1
14	462.5*94*15	2	1-1

HARDWARE LIST

101X6  φ6X30mm	102X32  φ15*12mm	103X32  φ7*32.5mm	104X8  φ12*10mm	105X8  φ6*19.5mm	106X5  φ10	107X5  φ5X50mm
108X20  φ4X12mm	109X5 	110-1 X2  L=300mm	110-2 X2  L=300mm	110-3 X2  L=300mm	110-4 X2  L=300mm	





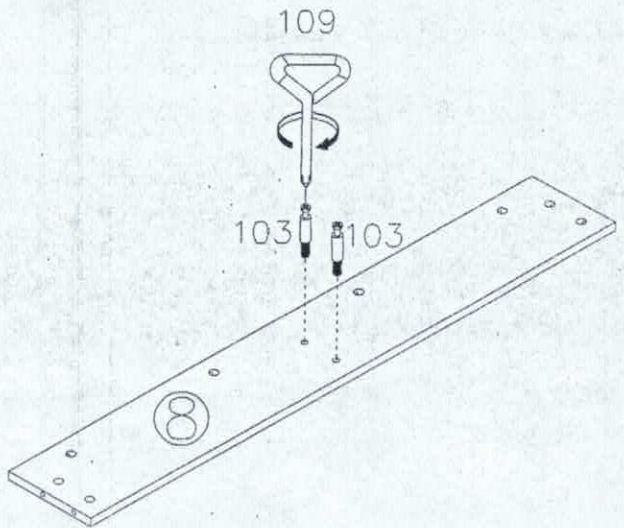
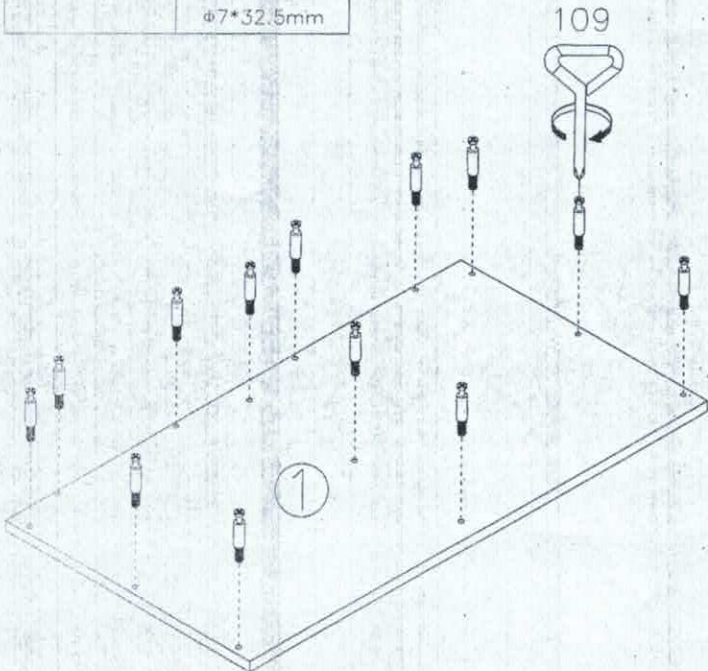
OUTILLAGE:
TOOLS:



A SOFT CLOTH IS SUITABLE FOR PRODUCT CARE.

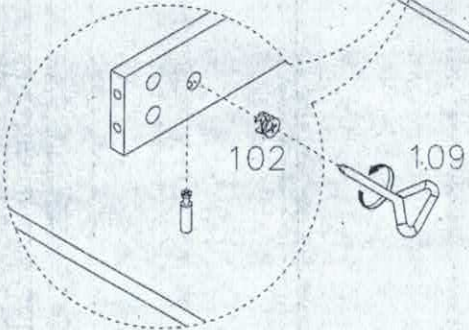
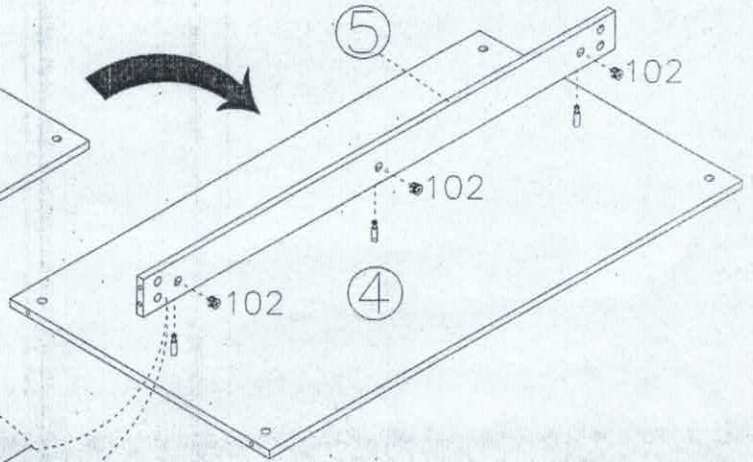
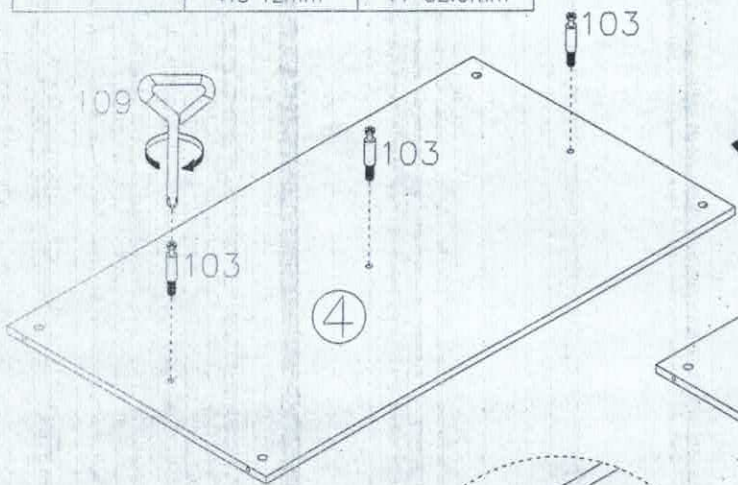
1

109 x1	103X15
	
	φ7*32.5mm






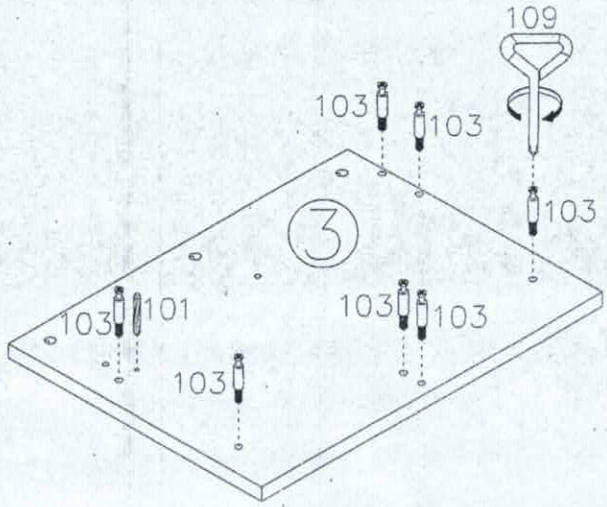
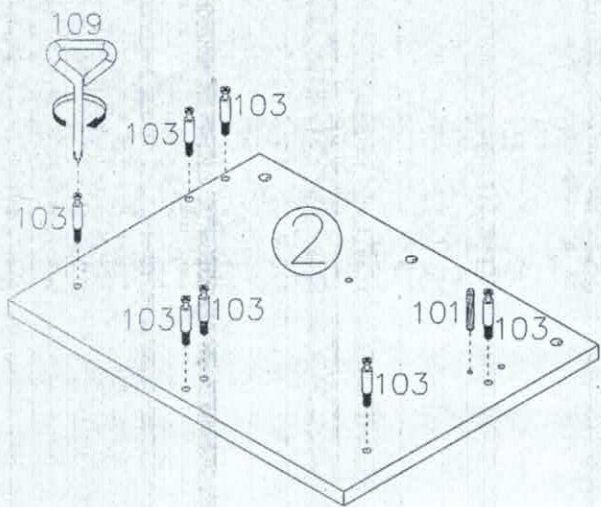
2

109 x1	102X3	103X3
		
	φ15*12mm	φ7*32.5mm





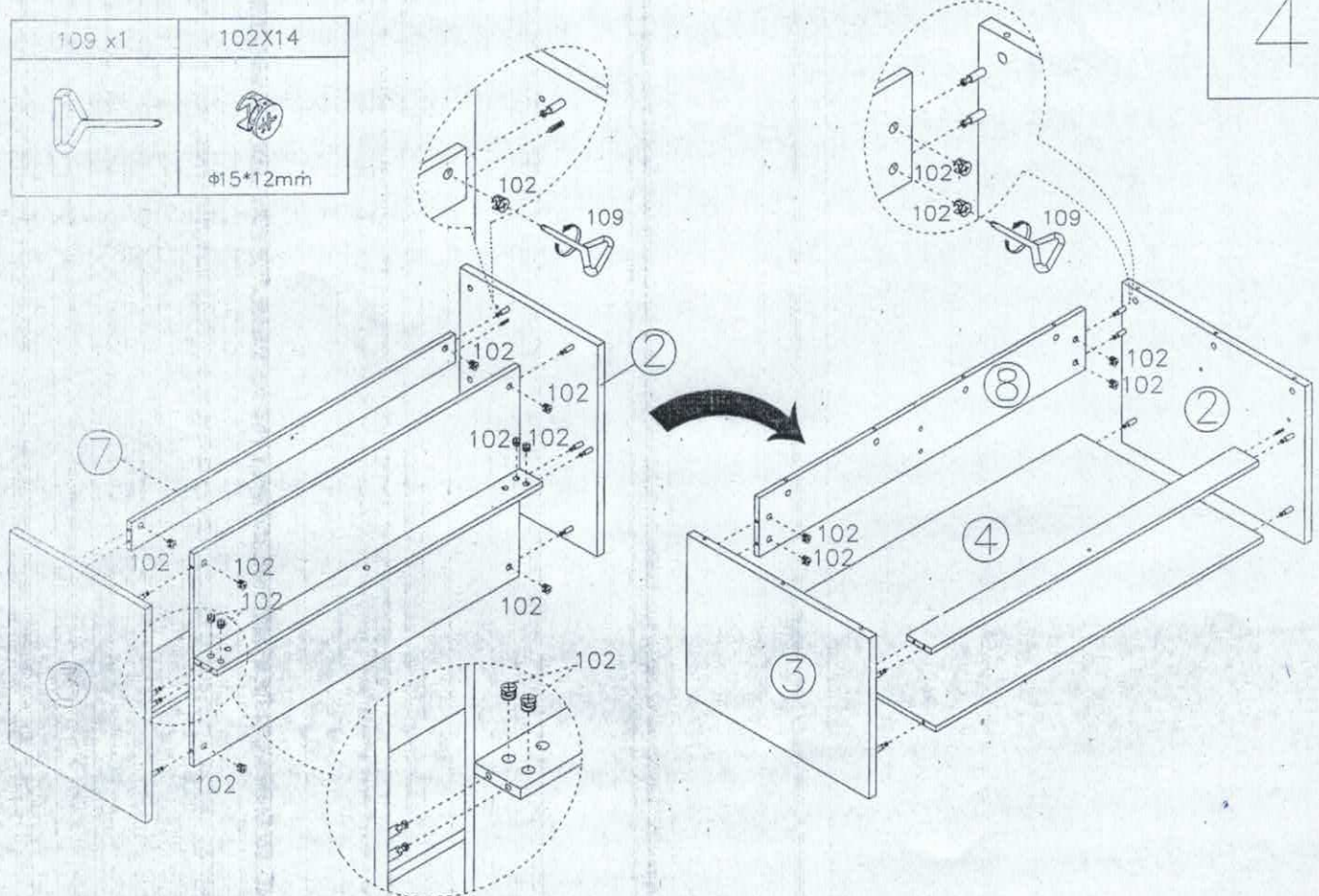
3

109 x1	101x2	103x14
		
	Φ6X30mm	Φ7*32.5mm







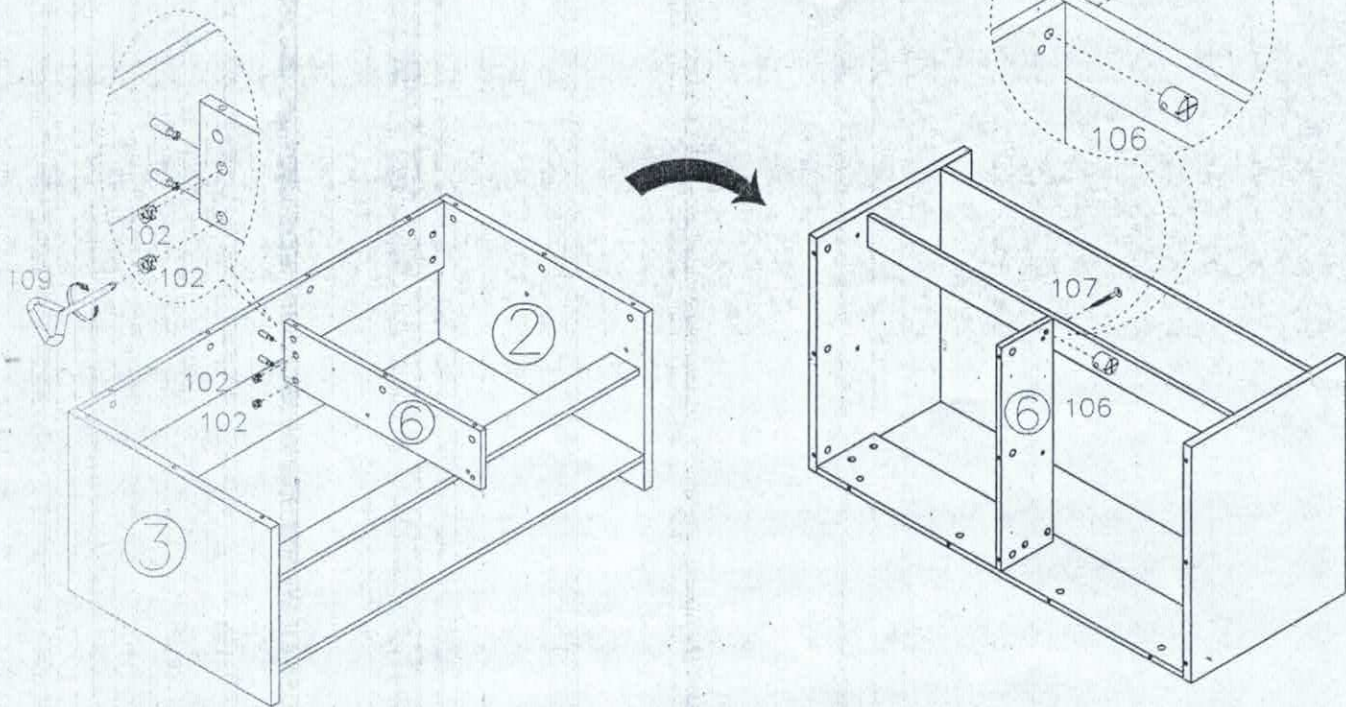
4

109 x1	102X14
	
	Φ15*12mm








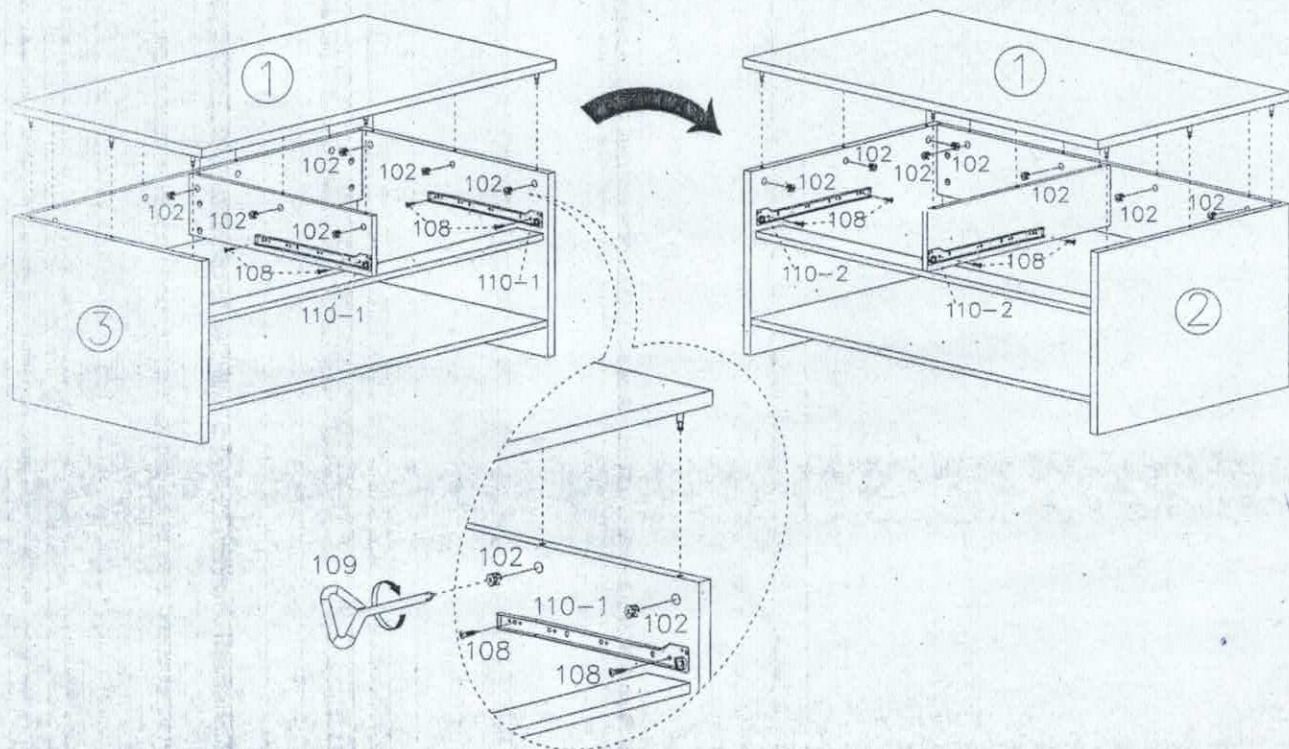
5

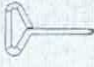








109x1	102x2	106x1	107x1
			
	φ15*12mm	φ10	φ5X50mm



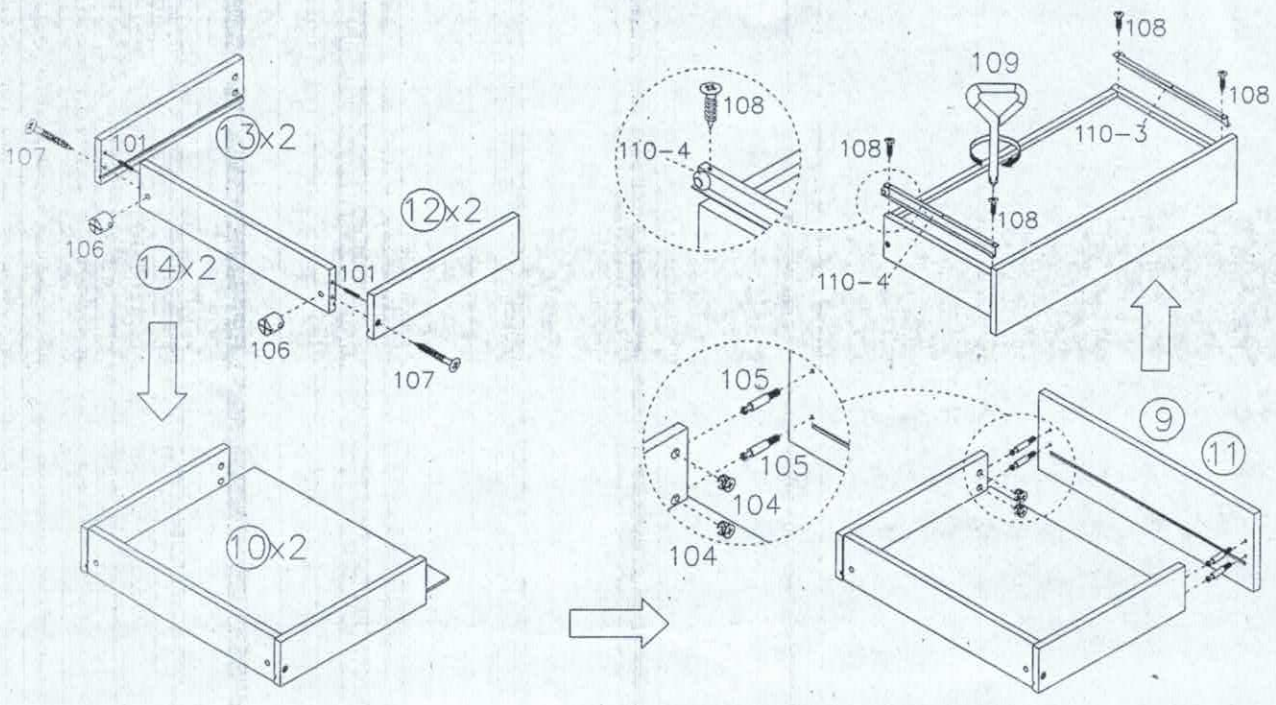
6

109 x1	102X13	108x8	110-1 X2	110-2 X2
				
	φ15*12mm	φ4X12mm	L=300mm	L=300mm



109x1	101x4	104x8	105x8	106x4	108x12	107x4	110-3 X2	110-4 X2
								
	φ6X30mm	φ12*10mm	φ6*19.5mm	φ10	φ4X12mm	φ5X50mm	L=300mm	L=300mm

7



8

